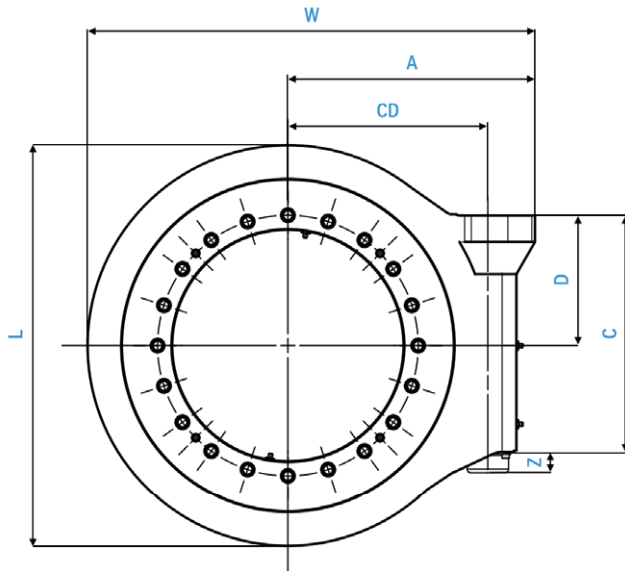
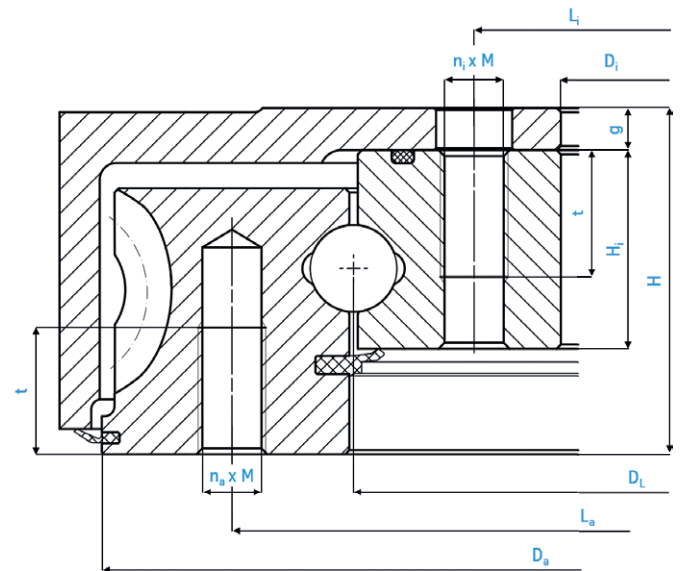




Top view



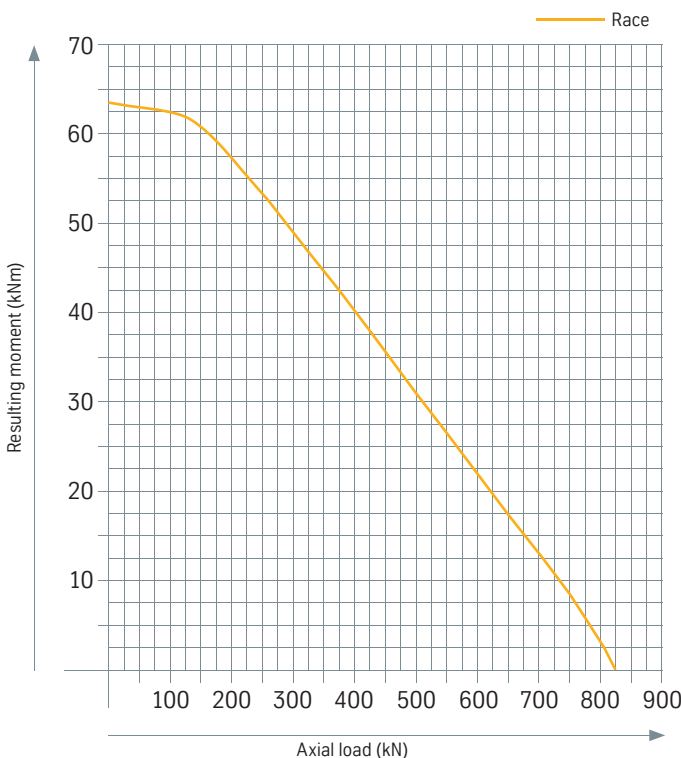
Side view



Geometry

Abbr.	W	L	A	C	CD	D	Z	H	H ₁	g	t	D _a	D _L	D _i	L _a	L _i	M	n _a	n _i
Dimensions	Overall dimension	Max. outer Ø	Length	Length	Center distance	Length	Distance	Overall height	Ring height	Enclosure height	Thread depth	External Ø	Raceway Ø	Internal Ø	Outside bolt circle	Inner bolt circle	Bolt size	No. of holes on outside	No. of holes on inside
in	21.12	18.54	11.85	12.09	9.25	6.57	1.22	3.23	1.85	0.39	1.18	17.76	13.52	10.43	15.35	11.61	M16	18 equally spaced	24 equally spaced
mm	536.5	471	301	307	235	167	31	82	47	10	30	451	343.5	265	390	295			

Static boundry load curves

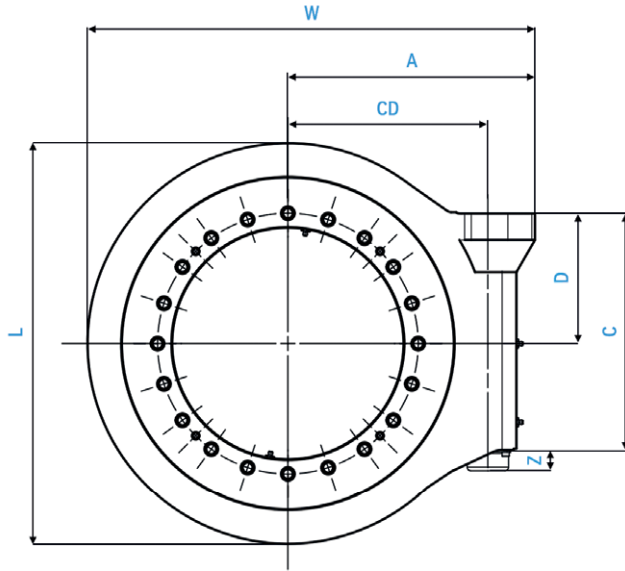


Ratings

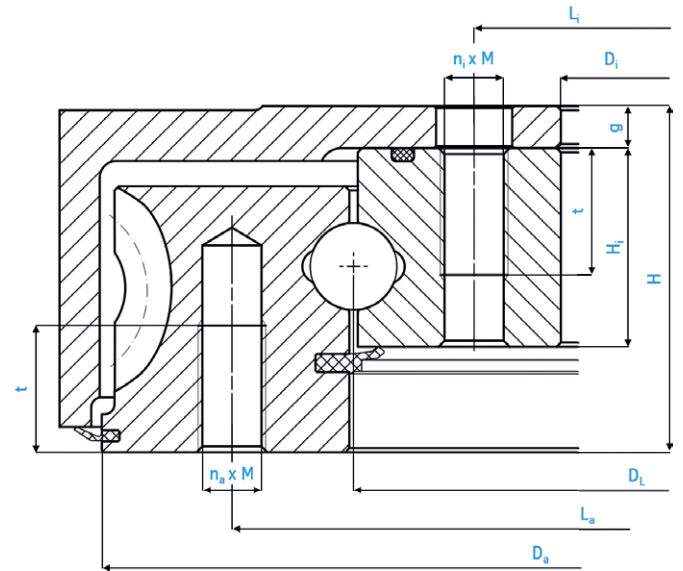
M_{d max}	Max. Output Torque	9,518 lbf-ft	12,905 Nm
M_{d nom}	Nom. Output Torque	7,486 lbf-ft	10,150 Nm
M_h	Holding Torque	9,518 lbf-ft	12,905 Nm
C_{o rad}	Static Radial Rating	75,825 lbf	337 kN
C_{o ax}	Static Axial Rating	165,375 lbf	735 kN
C_{rad}	Dynamic Radial Rating	37,350 lbf	166 kN
C_{ax}	Dynamic Axial Rating	70,650 lbf	314 kN
m	Module	5	
i	Slew Drive Ratio	86:1	
W	Weight	143 lbs	65 kg



Top view



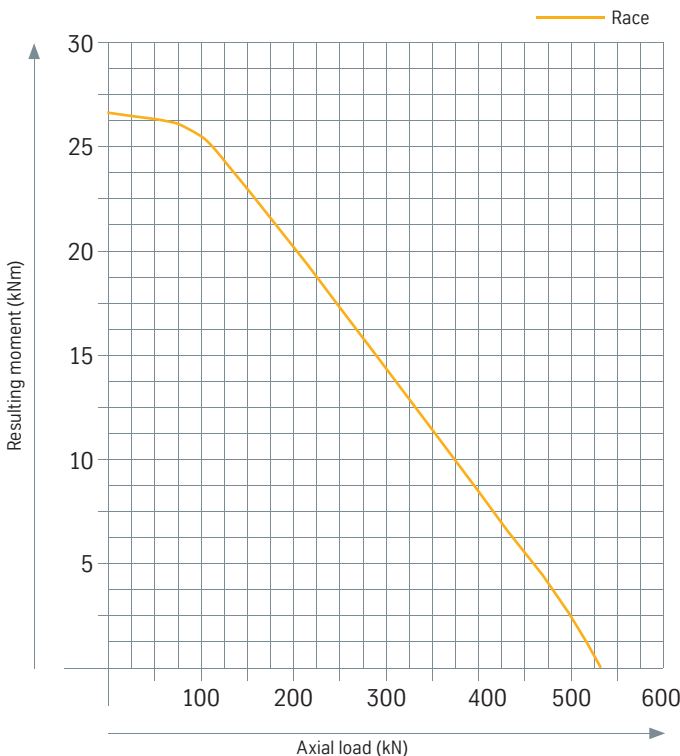
Side view



Geometry

Abbr.	W	L	A	C	CD	D	Z	H	H ₁	g	t	D _a	D _L	D _i	L _a	L ₁	M	n _a	n _i
Dimensions	Overall dimension	Max. outer Ø	Length	Length	Center distance	Length	Distance	Overall height	Ring height	Enclosure height	Thread depth	External Ø	Race-way Ø	Internal Ø	Outside bolt circle	Inner bolt circle	Bolt size	No. of holes on outside	No. of holes on inside
in	16.40	13.82	9.49	10.98	6.89	5.98	1.22	3.23	1.85	0.39	1.18	13.03	8.80	5.71	10.63	6.89	M16	16 equally spaced	15 on spacing of 16
mm	416.5	351	241	279	175	152	31	82	47	10	30	331	223.5	145	270	175			

Static boundry load curves

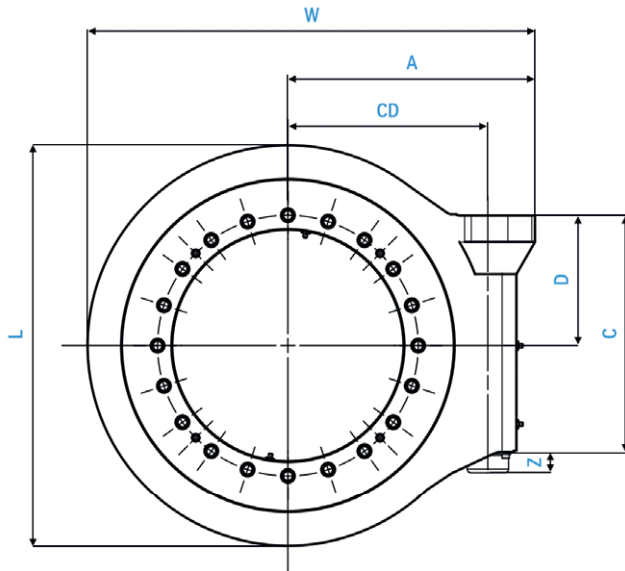


Ratings

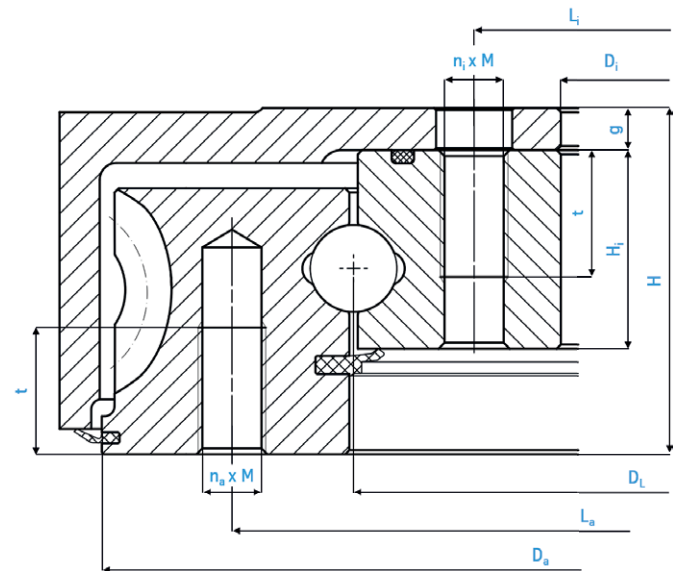
M_{d max}	Max. Output Torque	6,862 lbf-ft	9,303 Nm
M_{d nom}	Nom. Output Torque	3,537 lbf-ft	4,795 Nm
M_h	Holding Torque	6,862 lbf-ft	9,303 Nm
C_{o rad}	Static Radial Rating	48,825 lbf	217 kN
C_{o ax}	Static Axial Rating	106,650 lbf	474 kN
C_{rad}	Dynamic Radial Rating	31,275 lbf	139 kN
C_{ax}	Dynamic Axial Rating	59,175 lbf	263 kN
m	Module	5	
i	Slew Drive Ratio	62:1	
W	Weight	101 lbs	46 kg



Top view



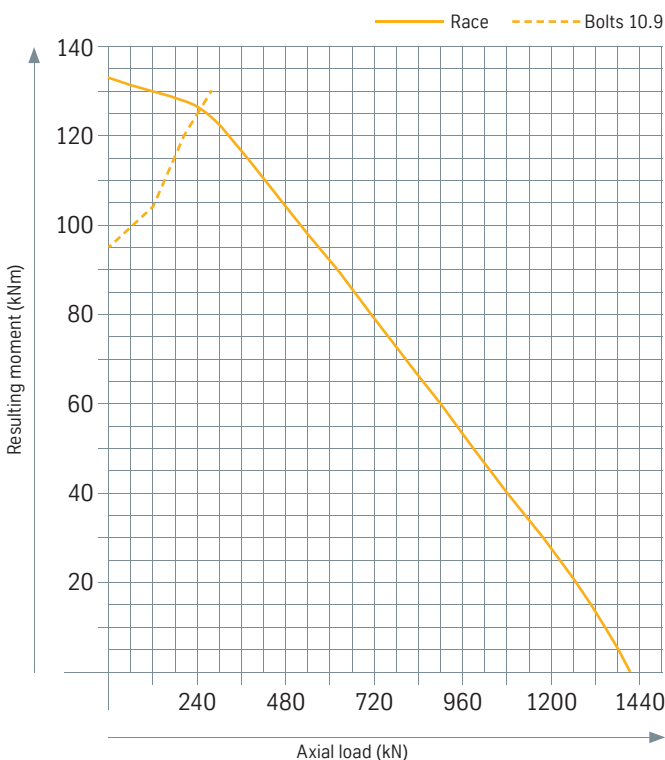
Side view



Geometry

Abbr.	W	L	A	C	CD	D	Z	H	H ₁	g	t	D _a	D _L	D _i	L _a	L ₁	M	n _a	n _i
Dimensions	Overall dimension	Max. outer Ø	Length	Length	Center distance	Length	Distance	Overall height	Ring height	Enclosure height	Thread depth	External Ø	Race-way Ø	Internal Ø	Outside bolt circle	Inner bolt circle	Bolt size	No. of holes on outside	No. of holes on inside
in	24.67	22.09	13.62	12.95	11.02	7.17	1.22	3.23	1.85	0.39	1.18	21.30	16.61	12.76	18.88	14.37	M16	20 equally spaced	
mm	626.5	561	346	329	280	182	31	82	47	10	30	541	422	324	479.5	365			

Static boundry load curves

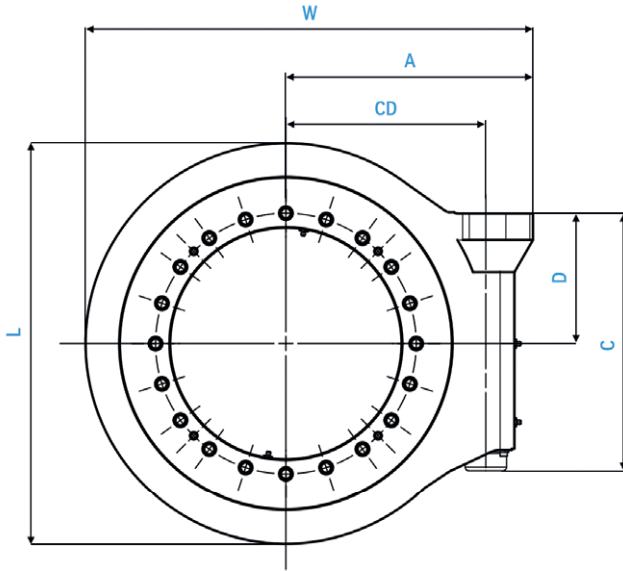


Ratings

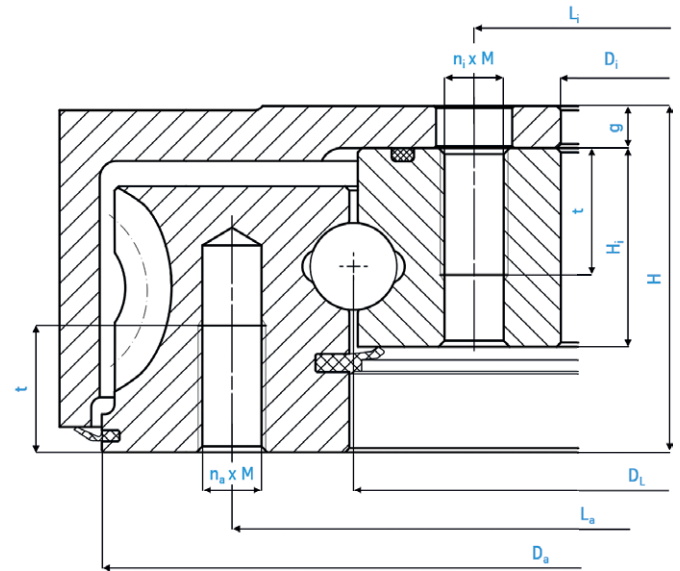
M_{d max}	Max. Output Torque	11,510 lbf-ft	15,606 Nm
M_{d nom}	Nom. Output Torque	11,510 lbf-ft	15,606 Nm
M_h	Holding Torque	11,510 lbf-ft	15,606 Nm
C_{o rad}	Static Radial Rating	127,575 lbf	567 kN
C_{o ax}	Static Axial Rating	278,775 lbf	1,239 kN
C_{rad}	Dynamic Radial Rating	40,500 lbf	180 kN
C_{ax}	Dynamic Axial Rating	76,950 lbf	342 kN
m	Module	5	
i	Slew Drive Ratio	104:1	
W	Weight	192 lbs	87 kg



Top view



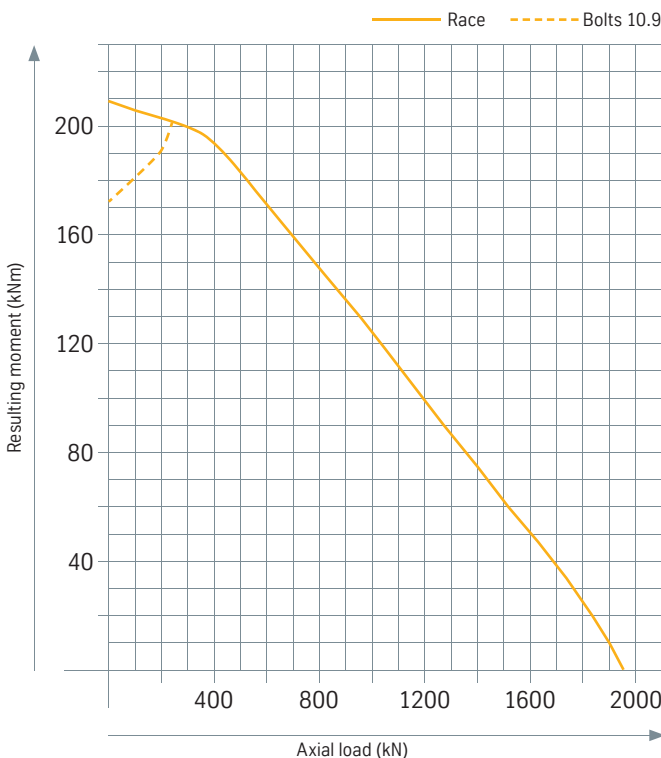
Side view



Geometry

Abbr.	W	L	A	C	CD	D	H	H _i	g	t	D _a	D _L	D _i	L _a	L _i	M	n _a	n _i
Dimensions	Overall dimension	Max. outer Ø	Length	Length	Center distance	Length	Overall height	Ring height	Enclosure height	Thread depth	External Ø	Raceway Ø	Internal Ø	Outside bolt circle	Inner bolt circle	Bolt size	No. of holes on outside	No. of holes on in side
in	26.83	24.21	14.72	17.52	12.01	9.06	4.21	2.09	0.59	1.18	23.15	18.86	14.96	20.47	16.54	M16	32 equally spaced	31 on spacing of 32
mm	681.5	615	374	445	305	230	107	53	15	30	588	479	380	520	420			

Static boundry load curves

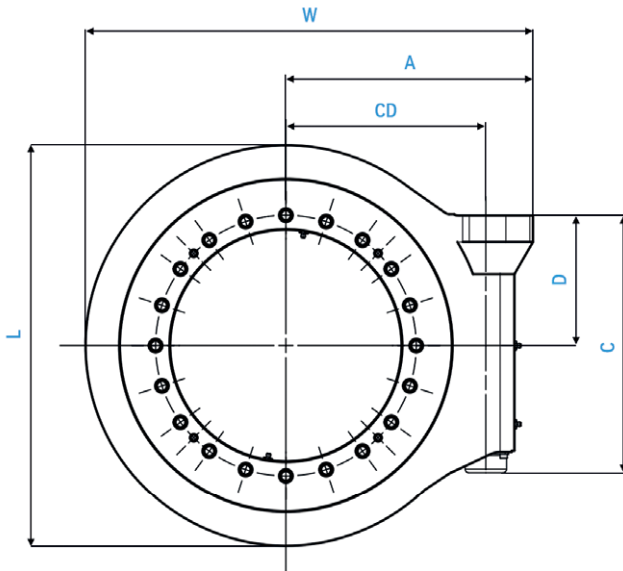


Ratings

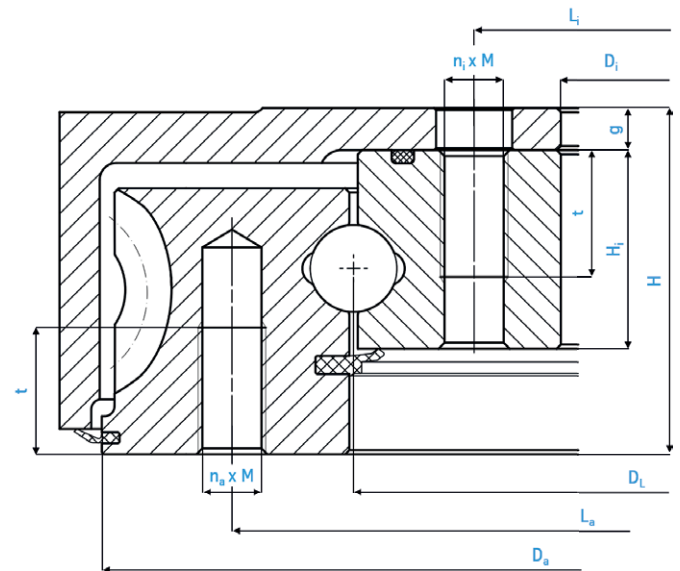
M_{d max}	Max. Output Torque	17,914 lbf-ft	24,288 Nm
M_{d nom}	Nom. Output Torque	17,914 lbf-ft	24,288 Nm
M_h	Holding Torque	25,271 lbf-ft	34,263 Nm
C_{o rad}	Static Radial Rating	176,400 lbf	784 kN
C_{o ax}	Static Axial Rating	385,425 lbf	1,713 kN
C_{rad}	Dynamic Radial Rating	56,475 lbf	251 kN
C_{ax}	Dynamic Axial Rating	106,875 lbf	475 kN
m	Module	6	
i	Slew Drive Ratio	93:1	
W	Weight	282 lbs	128 kg



Top view



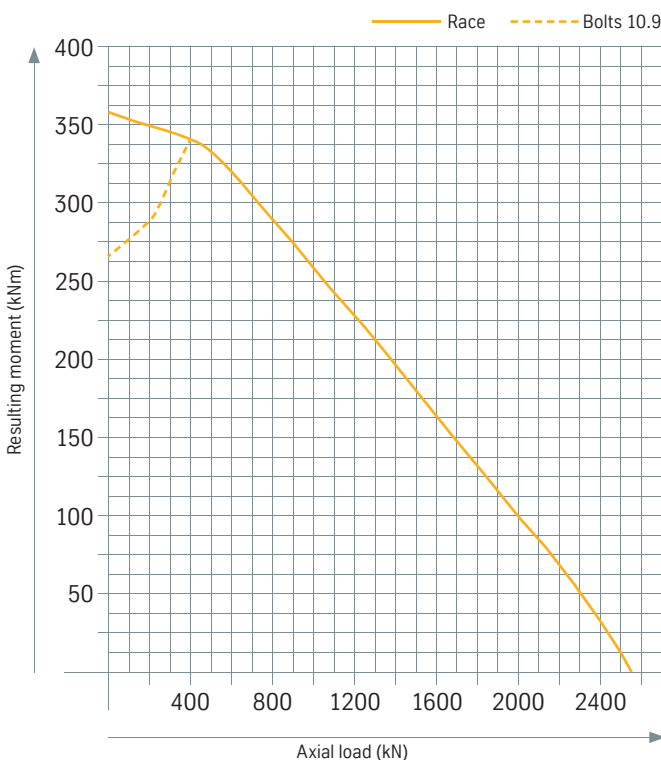
Side view



Geometry

Abbr.	W	L	A	C	CD	D	H	H _i	g	t	D _a	D _L	D _i	L _a	L _i	M	n _a	n _i
Dimensions	Overall dimension	Max. outer Ø	Length	Length	Center distance	Length	Overall height	Ring height	Enclosure height	Thread depth	External Ø	Raceway Ø	Internal Ø	Outside bolt circle	Inner bolt circle	Bolt size	No. of holes on outside	No. of holes on inside
in	33.48	30.75	18.11	19.88	15.43	10.24	5.12	2.36	0.79	1.57	29.80	24.65	20.67	26.57	22.24	M20	24	equally spaced
mm	850.5	781	460	505	392	260	130	60	20	40	757	626	525	675	565			

Static boundry load curves



Ratings

M_{d max}	Max. Output Torque	31,585 lbf-ft	42,824 Nm
M_{d nom}	Nom. Output Torque	31,585 lbf-ft	42,824 Nm
M_h	Holding Torque	31,585 lbf-ft	42,824 Nm
C_{o rad}	Static Radial Rating	230,625 lbf	1,025 kN
C_{o ax}	Static Axial Rating	504,000 lbf	2,240 kN
C_{rad}	Dynamic Radial Rating	62,550 lbf	278 kN
C_{ax}	Dynamic Axial Rating	118,350 lbf	526 kN
m	Module	7	
i	Slew Drive Ratio	104:1	
W	Weight	485 lbs	220 kg